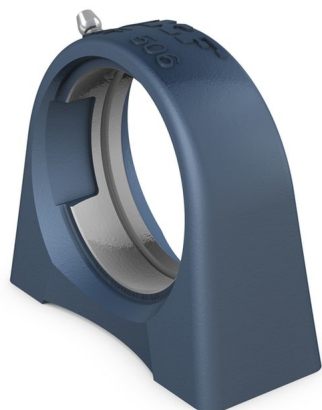


# SYF 505 Short base pillow block

## housing for insert bearings, cast iron

### Short base pillow block housing for insert bearings, cast iron



Short base pillow (plummer) block housings are designed to accommodate an insert bearing. They are strong, stiff and cost-effective, and are suitable for most applications. The housings has threads for attachment bolts so that it can be bolted directly to a support surface.

- Accommodate heavy loads in different directions
- Strong
- High degree of stiffness
- Narrow design

## Overview

## Dimensions

Spherical seating diameter	52 mm
Centre height (pillow block)	36.5 mm
Housing overall width	36 mm
Centre distance between bolt holes	50.8 mm

## Properties

Housing type	Pillow block
Number of bolt holes for fasteners	2
Fastening bolt hole type	Threaded
Material, housing	Cast iron
Coating	Without
Relubrication hole	With
Grease fitting	With

# Technical Specification

Material

Cast iron



## Dimensions

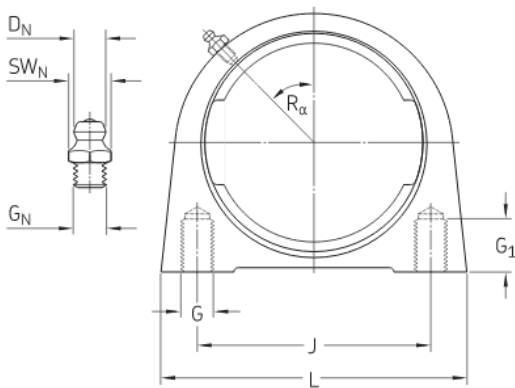
$D_a$	52 mm	Diameter of spherical seat
A	36 mm	Base width
$A_1$	22 mm	Top width
H	36.5 mm	Height of spherical seat centre
$H_2$	70 mm	Overall height
J	50.8 mm	Distance between attachment bolts
L	70 mm	Overall length

## Threaded hole

$R_G$	1/4-28 UNF	Housing thread for grease fitting
$R_1$	2 mm	Axial position of the housing thread
$R_\alpha$	45 °	Angular position of the housing thread

## Grease fitting

$D_N$	6.5 mm	Diameter of head sphere of grease fitting
SW	7 mm	Hexagonal key size for the grease fitting
$G_N$	1/4-28 SAE-LT	Thread of the grease fitting



## Mass

Mass housing

0.37 kg

## Mounting information

Housing thread for attachment bolts	G	M10
Thread length	G <sub>1</sub>	15 mm

# Terms and conditions

By accessing and using this website / app owned and published by AB SKF (publ.) (556007-3495 · Gothenburg) ("SKF"), you agree to the following terms and conditions:

## Warranty Disclaimer and Limitation of Liability

Although every care has been taken to assure the accuracy of the information on this website / app, SKF provides this information "AS IS" and DISCLAIMS ALL WARRANTIES, EXPRESS OR IMPLIED, INCLUDING, BUT NOT LIMITED TO, IMPLIED WARRANTIES OF MERCHANTABILITY AND FITNESS FOR A PARTICULAR PURPOSE. You acknowledge that your use of this website / app is at your sole risk, that you assume full responsibility for all costs associated with use of this website / app, and that SKF shall not be liable for any direct, incidental, consequential, or indirect damages of any kind arising out of your access to, or use of the information or software made available on this website / app. Any warranties and representations in this website / app for SKF products or services that you purchase or use will be subject to the agreed upon terms and conditions in the contract for such product or service. Further, for non-SKF websites / apps that are referenced in our website / app or where a hyperlink appears, SKF makes no warranties concerning the accuracy or reliability of the information in these websites / apps and assumes no responsibility for material created or published by third parties contained therein. In addition, SKF does not warrant that this website / app or these other linked websites / apps are free from viruses or other harmful elements.

## Third Party Services

When viewing YouTube content via the SKF website(s) (i.e. using YouTube API Services), you agree to be bound by the YouTube Terms of Service.

## Copyright

Copyright in this website / app copyright of the information and software made available on this website / app rest with SKF or its licensors. All rights are reserved. All licensed material will reference the licensor that has granted SKF the right to use the material. The information and software made available on this website / app may not be reproduced, duplicated, copied, transferred, distributed, stored, modified, downloaded or otherwise exploited for any commercial use without the prior written approval of SKF. However, it may be reproduced, stored and downloaded for use by individuals without prior written approval of SKF. Under no circumstances may this information or software be supplied to third parties.

This website /app includes certain images used under license from Shutterstock, Inc.

## Trademarks and Patents

All trademarks, brand names, and corporate logos displayed on the website / app are the property of SKF or its licensors, and may not be used in any way without prior written approval by SKF. All licensed trademarks published on this website / app reference the licensor that has granted SKF the right to use the trademark. Access to this website / app does not grant to the user any license under any patents owned by or licensed to SKF.

## Changes

SKF reserves the right to make changes or additions to this website / app at any time.