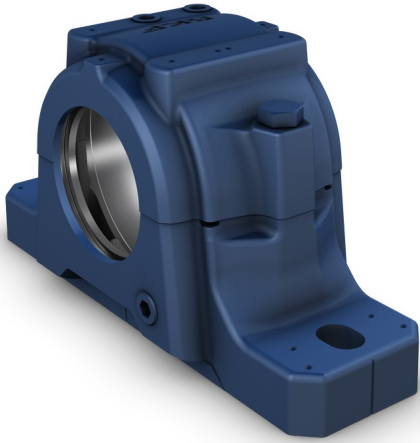


SNL 513-611 VSplit plummer (pillow) block housing, SNL 2, 3, 5 and 6 series



Split plummer (pillow) block housing, SNL 2, 3, 5 and 6 series

SNL plummer (pillow) block housings are the most popular SKF bearing housings on the market, developed to be the first choice for design, quality and economy. They enable the incorporated bearings to achieve maximum service life with less need for maintenance. Different housing variants and seal designs are available, making the use of tailored housings virtually unnecessary and enabling cost-effective bearing arrangements to be made.

- Easy to install
- Cost-effective bearing arrangement
- Reduce maintenance
- Minimize lubricant leakage

Overview

Dimensions

Diameter of bearing seat	120 mm
Width of bearing seat	51 mm
Centre height (pillow block)	80 mm
Centre distance between bolt holes	230 mm
Attachment bolt diameter	16 mm

Properties

Housing type	Plummer/pillow block
Housing configuration	Two-piece
Mounting arrangement	Through shaft/Shaft end
Number of bolt holes for fasteners	2
Material, housing	Cast iron
Bearing housing seal type	Without
Housing lubrication feature/possibility	Grease

Technical Specification



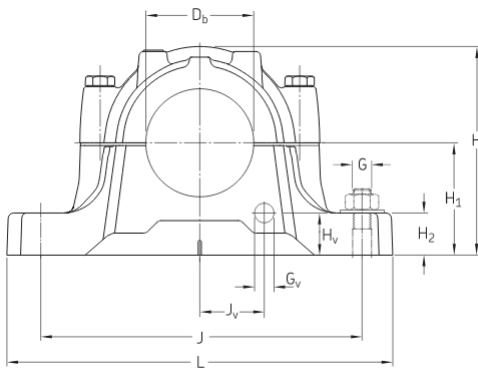
Dimensions

Bearing seat

D_a	120 mm	Diameter of bearing seat
	G7	Tolerance class of bearing seat diameter
C_a	51 mm	Width of bearing seat
H_1	80 mm	Centre height of bearing seat

Outside dimensions

D_b	77 mm	Bore diameter
A	110 mm	Overall width
A_1	80 mm	Foot width
G_1	1/8-27 NPSF	Thread of relubrication holes
H	149 mm	Overall height
H_2	30 mm	Foot height
L	275 mm	Overall length
J	230 mm	Distance between attachment bolts
N	24 mm	Length of attachment bolt hole
N_1	18 mm	Width of attachment bolt hole

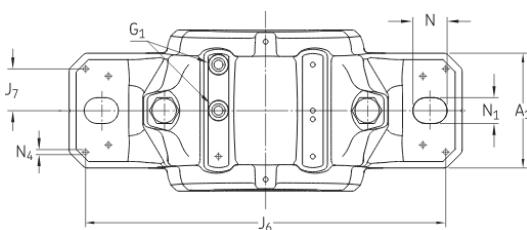


Seal grooves

A_3	83 mm	Inside width between seal grooves
A_4	5 mm	Width of seal groove
A_5	9 mm	Distance to seal groove back face
A_6	13 mm	Width at bore diameter
D_c	85.5 mm	Diameter of seal groove

Grease escape hole

J_v	43 mm	Position of grease escape hole
-------	-------	--------------------------------



H_V 32 mm	Distance housing bottom to oil inlet, housing base
G_V G 3/8	Thread of grease escape hole

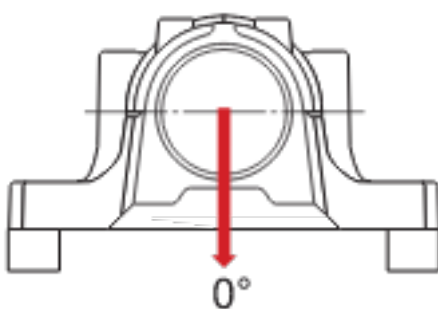
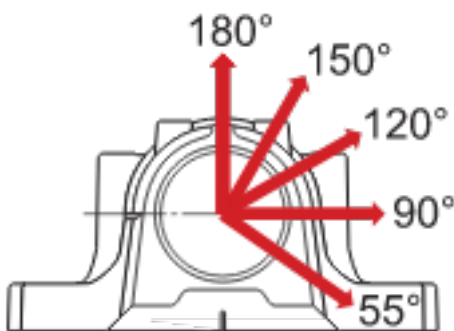
Dowel pins

J_6 252 mm	Distance between dowel pins
J_7 29 mm	Axial offset of dowel pins
N_4 max. 8 mm	Diameter of dowel pins

Calculation data

Breaking loads

P_{0° 270 kN	Breaking load at 0° load angle
P_{55° 340 kN	Breaking load at 55° load angle
P_{90° 205 kN	Breaking load at 90° load angle
P_{120° 150 kN	Breaking load at 120° load angle
P_{150° 130 kN	Breaking load at 150° load angle
P_{180° 170 kN	Breaking load at 180° load angle
P_a 110 kN	Breaking load, axial



Yield points of cap bolts

Q_{12} 220 kN	Load to reach yield point at 120° load angle
Q_{15} 125 kN	Load to reach yield point at 150° load angle
Q_{18} 110 kN	Load to reach yield point at 180° load angle

Materials

Housing material

Cast iron

Corrosion protection

Paint - in accordance with ISO 12944-2, corrosivity category C2

Mass

Mass housing	7 kg
--------------	------

Mounting information

Recommended diameter of attachment bolts	G	16 mm
Recommended tightening torque for attachment bolts		200 N·m
Size of cap bolts		M12x65
Tightening torque for cap bolts		80 N·m
Initial grease fill, 20%		100 g
Initial grease fill, 40%		160 g

Included products

Grease fitting	AH 1/8-27 PTF
----------------	---------------

Terms and conditions

By accessing and using this website / app owned and published by AB SKF (publ.) (556007-3495 · Gothenburg) ("SKF"), you agree to the following terms and conditions:

Warranty Disclaimer and Limitation of Liability

Although every care has been taken to assure the accuracy of the information on this website / app, SKF provides this information "AS IS" and DISCLAIMS ALL WARRANTIES, EXPRESS OR IMPLIED, INCLUDING, BUT NOT LIMITED TO, IMPLIED WARRANTIES OF MERCHANTABILITY AND FITNESS FOR A PARTICULAR PURPOSE. You acknowledge that your use of this website / app is at your sole risk, that you assume full responsibility for all costs associated with use of this website / app, and that SKF shall not be liable for any direct, incidental, consequential, or indirect damages of any kind arising out of your access to, or use of the information or software made available on this website / app. Any warranties and representations in this website / app for SKF products or services that you purchase or use will be subject to the agreed upon terms and conditions in the contract for such product or service. Further, for non-SKF websites / apps that are referenced in our website / app or where a hyperlink appears, SKF makes no warranties concerning the accuracy or reliability of the information in these websites / apps and assumes no responsibility for material created or published by third parties contained therein. In addition, SKF does not warrant that this website / app or these other linked websites / apps are free from viruses or other harmful elements.

Third Party Services

When viewing YouTube content via the SKF website(s) (i.e. using YouTube API Services), you agree to be bound by the YouTube Terms of Service.

Copyright

Copyright in this website / app copyright of the information and software made available on this website / app rest with SKF or its licensors. All rights are reserved. All licensed material will reference the licensor that has granted SKF the right to use the material. The information and software made available on this website / app may not be reproduced, duplicated, copied, transferred, distributed, stored, modified, downloaded or otherwise exploited for any commercial use without the prior written approval of SKF. However, it may be reproduced, stored and downloaded for use by individuals without prior written approval of SKF. Under no circumstances may this information or software be supplied to third parties.

This website /app includes certain images used under license from Shutterstock, Inc.

Trademarks and Patents

All trademarks, brand names, and corporate logos displayed on the website / app are the property of SKF or its licensors, and may not be used in any way without prior written approval by SKF. All licensed trademarks published on this website / app reference the licensor that has granted SKF the right to use the trademark. Access to this website / app does not grant to the user any license under any patents owned by or licensed to SKF.

Changes

SKF reserves the right to make changes or additions to this website / app at any time.