

HAS | SINGLE ACTING SOLID PISTON ALUMINIUM CYLINDERS



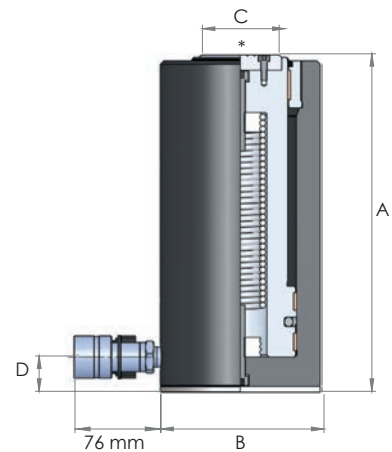
Capacities from 32 to 110 tonnes

Stroke lengths from 51 to 305 mm

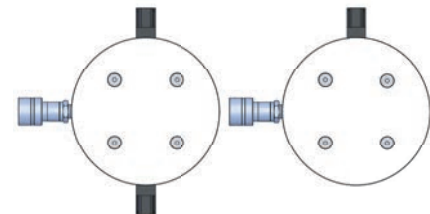
Working pressure 700 bar

*see pages 24 and 25

- ▶ Lightweight aluminium cylinders for applications where weight and portability are of prime importance
- ▶ Single acting, spring assisted return
- ▶ Hard anodised piston rod and cylinder for corrosion resistance and increased durability
- ▶ Steel base plate to protect cylinder body
- ▶ Low friction bearing surfaces
- ▶ Anti-extrusion seals for improved performance at high pressures
- ▶ Grooved saddles fitted as standard on all models
- ▶ Optional piston rod saddles listed on pages 24 and 25
- ▶ Customised and special design cylinders are available on request



Handle positions



Model number	Capacity (tonnes)	Stroke (mm)	Oil capacity (cm ³)	Cylinder eff. area (cm ²)	Weight (kg)	Handles	Dimensions (mm)			
							A	B	C	D
HAS302	32	51	225	44.2	4	-	181	105	50	25
HAS306	32	152	672	44.2	6	-	282	105	50	25
HAS3012	32	305	1348	44.2	8	1	435	105	50	25
HAS502	51	51	1136	70.9	8	1	186	135	70	30
HAS506	51	152	1077	70.9	11	1	287	135	70	30
HAS5012	51	305	6792	70.9	16	1	440	135	70	30
HAS1002	110	51	785	153.9	19	2	216	195	100	41
HAS1006	110	152	2340	153.9	23	2	317	195	100	41
HAS10012	110	305	4695	153.9	34	2	470	195	100	41

Note: If specifying this cylinder for use with the SLF and SLV synchronous lifting systems and associated mounting kit, please consider the increase in dimension A (closed height), see pages 42 and 46.