

FYJ 40 KFSquare flanged ball bearing unit with adapter sleeve locking, cast iron housing, JIS

Square flanged ball bearing unit with adapter sleeve locking, cast iron housing, JIS

These square flanged ball bearing units are compliant with Japanese Industrial Standards (JIS). They consist of an insert bearing, locked to the shaft with an adapter sleeve, which enables the bearings to operate at higher speeds and run more smoothly in applications where the direction of rotation is constant or alternating. The bearing is mounted in a cast iron housing, which can be bolted to a machine wall or frame. Ball bearing units can accommodate moderate initial misalignment, but normally do not permit axial displacement. The adapter sleeve is not included in the unit and should be ordered separately.

- Resist high levels of contamination
- Designed for high temperatures and speeds
- Accommodate relatively heavy loads
- Cost-effective

Overview

Dimensions

Shaft diameter	35 mm
Housing overall width	36 mm
Width, total	48.25 mm
Centre distance between bolt holes	102 mm
Bearing width, total	33.9 mm

Performance

Basic dynamic load rating	30.7 kN
Basic static load rating	19 kN
Limiting speed	4 800 r/min

Properties

Housing type	Flanged
Flanged housing type	Square
Number of bolt holes for fasteners	4
Fastening bolt hole type	Plain
Retaining feature, inner ring	Adapter sleeve ring
Bore type	Tapered
Rubber seating ring	Without

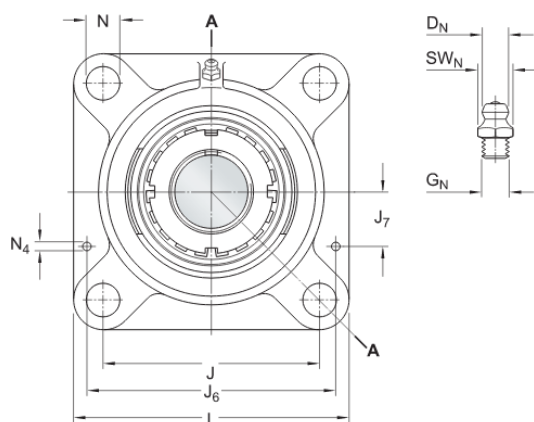
Material, housing	Cast iron
Material, bearing	Bearing steel
Coating	Without
Sealing, bearing	Seal and flinger on both sides
Sealing type	Contact, standard
Sealing, unit	Without
Lubricant	Grease
Relubrication hole	With
Grease fitting	With

Technical Specification

Order adapter sleeve separately	
Compliance with standard	JIS
Purpose specific	For material handling applications
Material, housing	Cast iron
Sealing, bearing	Seal and flinger on both sides
Sealing type, bearing	Contact, standard
Sealing, unit	Without
Coating	Without

Dimensions

d	35 mm	Bore diameter
d_1	≈ 51.8 mm	Outer diameter of inner ring
d_3	58 mm	Outside diameter of lock nut
A	36 mm	Overall width
A_1	14 mm	Flange width
A_3	3.2 mm	Depth of centring recess
B	33.9 mm	Width of inner ring
B_1	33.9 mm	Overall bearing width
B_1	46 mm	Width of sleeve
D_{b1}	99 mm	Top external diameter
D_{b2}	107 mm	Base external diameter
D_c	115.9 mm	Diameter of housing centering recess
J	102 mm	Distance between attachment bolts
L	130 mm	Overall length



N	16 mm	Diameter of attachment bolt hole
s ₁	27.15 mm	Distance from locking device side face to raceway centre
T	48.25 mm	Overall unit width

Value specified for s₁

Threaded hole

R _G	1/4-28 UNF	Housing thread for grease fitting
R ₁	23 mm	Axial position of the housing thread

Grease fitting

D _N	6.5 mm	Diameter of head sphere of grease fitting
SW	7 mm	Hexagonal key size for the grease fitting
G _N	1/4-28 SAE-LT	Thread of grease fitting

Dowel pins

J ₆	118 mm	Distance of dowel pins
J ₇	34 mm	Axial offset of dowel pins
N ₄	4 mm	Recommended diameter for dowel pins

Calculation data

Basic dynamic load rating	C	30.7 kN
Basic static load rating	C ₀	19 kN
Fatigue load limit	P _u	0.8 kN
Limiting speed		4 800 r/min

Mass

Mass bearing unit	1.65 kg
-------------------	---------

Mounting information

Associated spanner		HN 8
Recommended lock nut tightening angle	α	105 °
Recommended diameter for attachment bolts, mm	G	14 mm
Recommended diameter for attachment bolts, inch	G	0.5625 in

Terms and conditions

By accessing and using this website / app owned and published by AB SKF (publ.) (556007-3495 · Gothenburg) ("SKF"), you agree to the following terms and conditions:

Warranty Disclaimer and Limitation of Liability

Although every care has been taken to assure the accuracy of the information on this website / app, SKF provides this information "AS IS" and DISCLAIMS ALL WARRANTIES, EXPRESS OR IMPLIED, INCLUDING, BUT NOT LIMITED TO, IMPLIED WARRANTIES OF MERCHANTABILITY AND FITNESS FOR A PARTICULAR PURPOSE. You acknowledge that your use of this website / app is at your sole risk, that you assume full responsibility for all costs associated with use of this website / app, and that SKF shall not be liable for any direct, incidental, consequential, or indirect damages of any kind arising out of your access to, or use of the information or software made available on this website / app. Any warranties and representations in this website / app for SKF products or services that you purchase or use will be subject to the agreed upon terms and conditions in the contract for such product or service. Further, for non-SKF websites / apps that are referenced in our website / app or where a hyperlink appears, SKF makes no warranties concerning the accuracy or reliability of the information in these websites / apps and assumes no responsibility for material created or published by third parties contained therein. In addition, SKF does not warrant that this website / app or these other linked websites / apps are free from viruses or other harmful elements.

Third Party Services

When viewing YouTube content via the SKF website(s) (i.e. using YouTube API Services), you agree to be bound by the YouTube Terms of Service.

Copyright

Copyright in this website / app copyright of the information and software made available on this website / app rest with SKF or its licensors. All rights are reserved. All licensed material will reference the licensor that has granted SKF the right to use the material. The information and software made available on this website / app may not be reproduced, duplicated, copied, transferred, distributed, stored, modified, downloaded or otherwise exploited for any commercial use without the prior written approval of SKF. However, it may be reproduced, stored and downloaded for use by individuals without prior written approval of SKF. Under no circumstances may this information or software be supplied to third parties.

This website /app includes certain images used under license from Shutterstock, Inc.

Trademarks and Patents

All trademarks, brand names, and corporate logos displayed on the website / app are the property of SKF or its licensors, and may not be used in any way without prior written approval by SKF. All licensed trademarks published on this website / app reference the licensor that has granted SKF the right to use the trademark. Access to this website / app does not grant to the user any license under any patents owned by or licensed to SKF.

Changes

SKF reserves the right to make changes or additions to this website / app at any time.