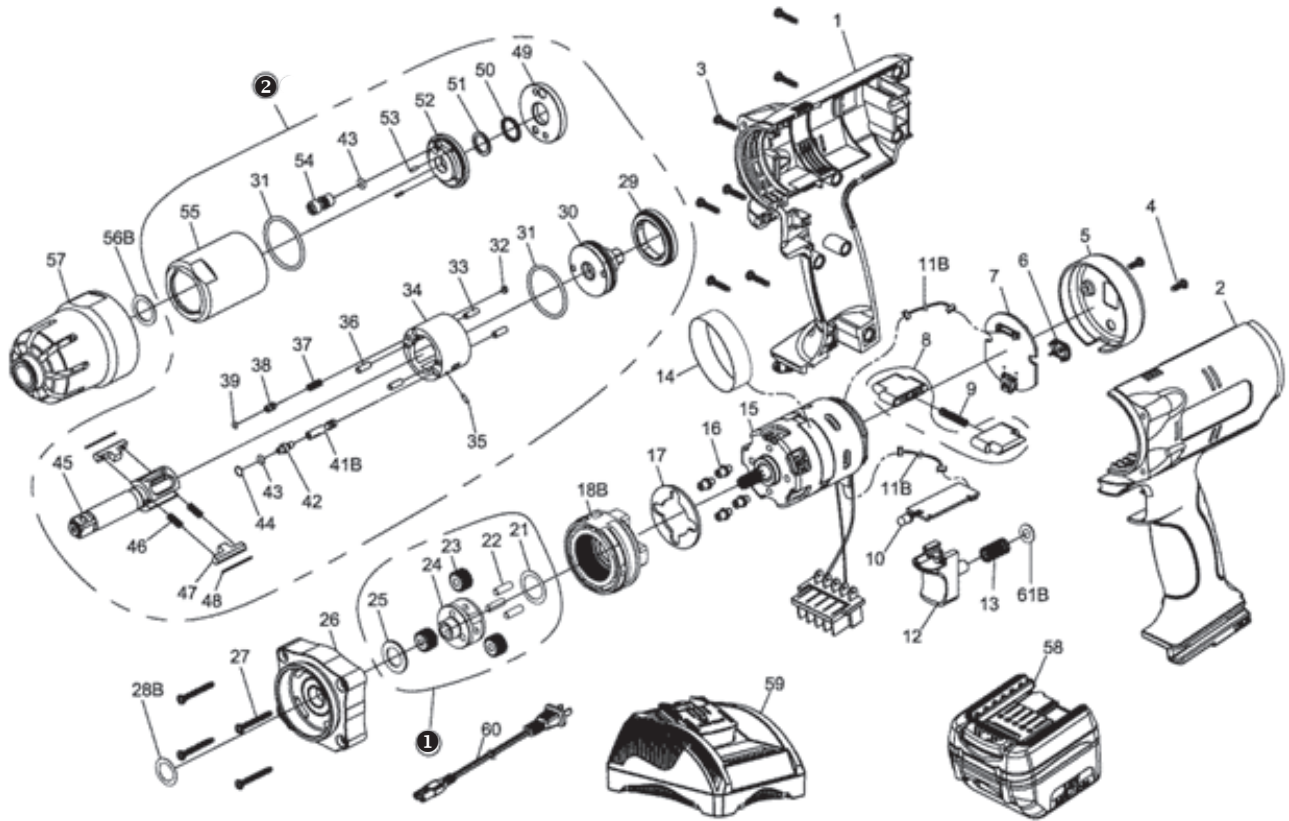


RRI-BIM25T

CORDLESS SHUT OFF IMPULSE TOOL



Index No	Part No.	Description	Q'ty
1	C01PW15#G2	Upper Housing	1
2	C02PW15#G2	Lower Housing	1
3	000-0930	Screw (Φ3×14L)	7
4	000-0831	Screw (Φ3×8L)	2
5	C10PW15#W2	Cover	1
6	C09PW15-3#W2	Button	1
7	E76PW15-1	LED Indicator Board	1
8	B09PW15-1#B1	F/R Valve (1set×2pcs)	1
9	D48PW15-1	Spring	1
10	E76PW15	PC Board	1
11B	E86SC	Connector Wire	2
12	B09PW15#B1	Trigger Assembly	1
13	D48PW15	Spring	1
14	C39PW15	Ring	1
15	B83PW25-1	Brushless Motor ;w/driver	1
16	D54PW15	Screw	4
17	C39PW15-1	Washer	1
18B	B50PW15-1	Gear Box Assembly	1
①	B51PW15	Gear Cage Assembly	1
21	D39PW15-1	Washer	1
22	000-3440	Pin	3
23	D49PW15-1	Planet Gear	3
24	D51PW15	Gear Cage	1
25	D39PW15	Washer	1
26	B52PW15#BW	Housing Cover Assembly	1
27	000-0840	Screw (Φ4×25L)	4
28B	I40S-423	Washer	1
②	B140SD-400ASM	Pulse unit	1
29	I40S-402	Lock Nut	1*
30	I40S-415	Rear Plate	1*

Index No	Part No.	Description	Q'ty
31	00-41160	O-Ring	2*
32	I40S-454	Block Cap	1*
33	00-3407	Pin	2*
34	I70-404-B	Pulse Cylinder	1*
35	00-3436	Pin	1*
36	00-3435	Pin	2*
37	I70S-453	Spring	1*
38	IS40S-421	Pressure Valve	1*
39	00-41173	O-Ring	1*
41B	D55PW25	Valve	1*
42	I80-411	Valve Screw	1*
43	00-41113	O-Ring	2*
44	I80-422	Back Up Ring	1*
45	I70-405-B	Anvil	1*
46	I70-407	Spring	2*
47	I70-406-B	Drive Blade	2*
48	I70-452	Roller	2*
49	I70-408	Front Plate	1*
50	00-2602	X-Ring	1*
51	I70-409	Back Up Ring	1*
52	I70-403	Front Cover	1*
53	00-3318	Spring Pin	2*
54	I70-410	Greasing Screw	1*
55	I70-401	Pulse Cylinder Seat	1*
56B	I40S-424	Washer	1
57	B41PW35#BW	Front Cover Assembly	1
58	BB180C-320	18V Li-ion 2.0Ah Battery	1
59	B84192B	Battery Charger	1
60	E86B	Power Cord	1
61B	C39PW15-3	Washer	1