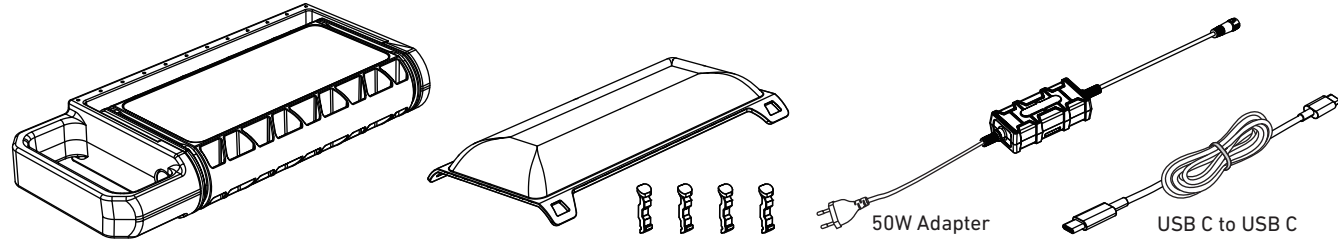


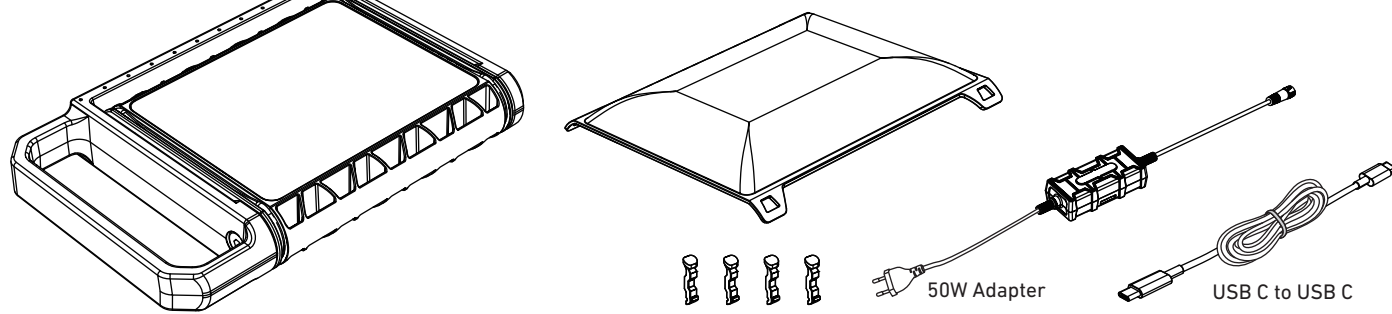
LEDLENSER AF4R Work/AF8R Work

LEDLENSER AF4R Work/AF8R Work

AF4R Work



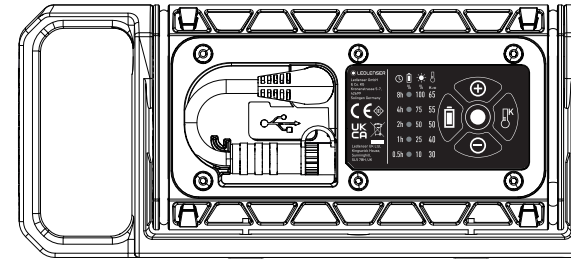
AF8R Work



AF4R Work

LED Module: AT10C CCT LED Module

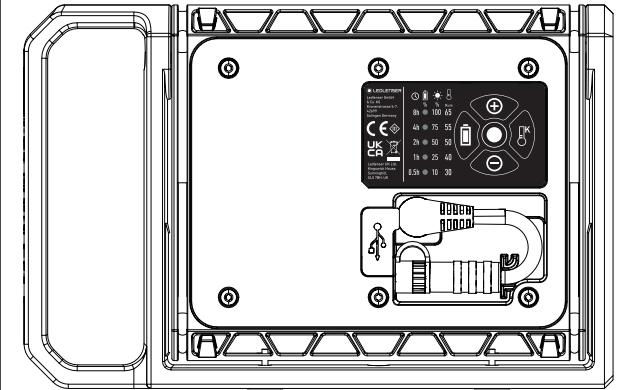
This product contains light sources of energy efficiency class E
 Dieses Produkt enthält eine Lichtquelle der Energieeffizienzklasse E
 Este producto contiene una fuente luminosa de la clase de eficiencia energética E
 Ce produit contient une source lumineuse de classe d'efficacité énergétique E



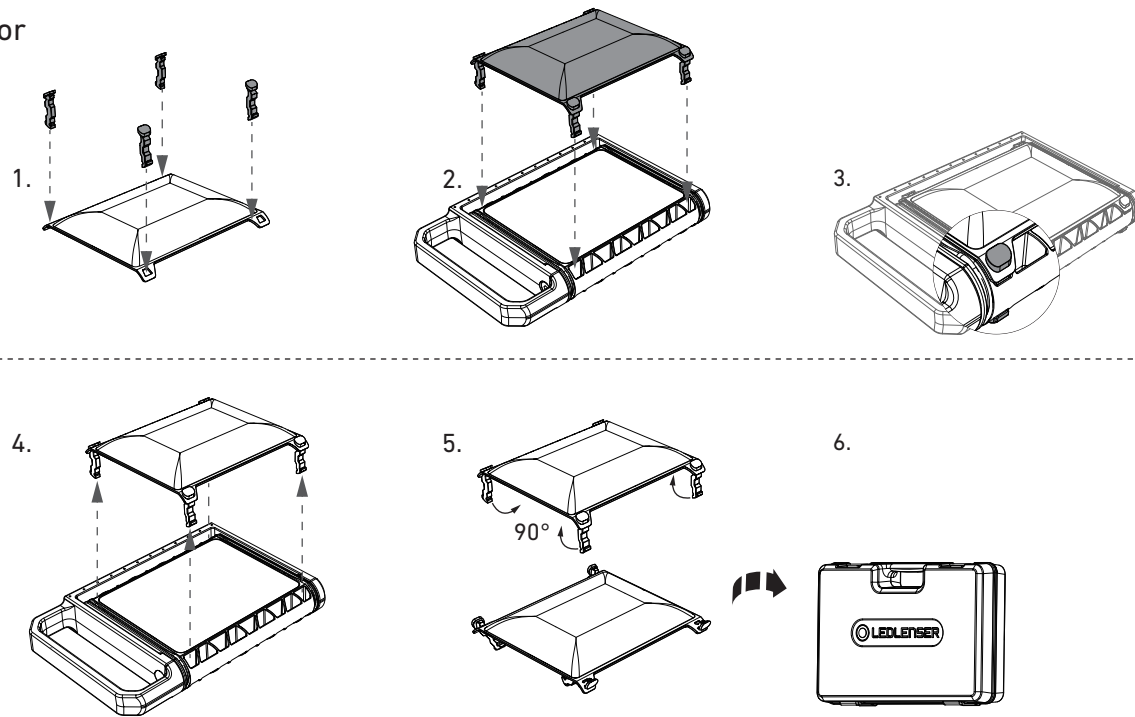
AF8R Work

LED Module: AT10C CCT LED Module

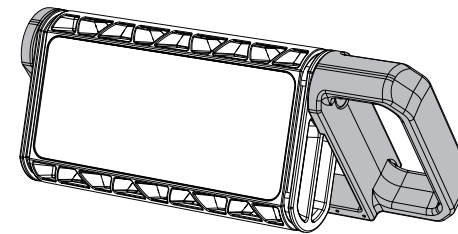
This product contains light sources of energy efficiency class E
 Dieses Produkt enthält eine Lichtquelle der Energieeffizienzklasse E
 Este producto contiene una fuente luminosa de la clase de eficiencia energética E
 Ce produit contient une source lumineuse de classe d'efficacité énergétique E



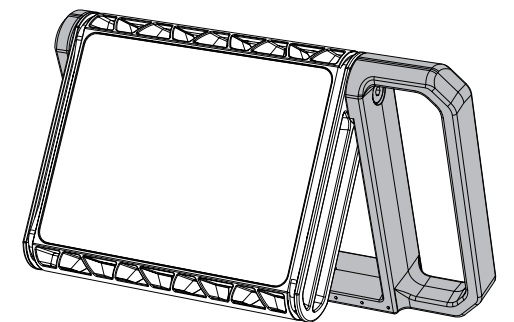
Diffusor



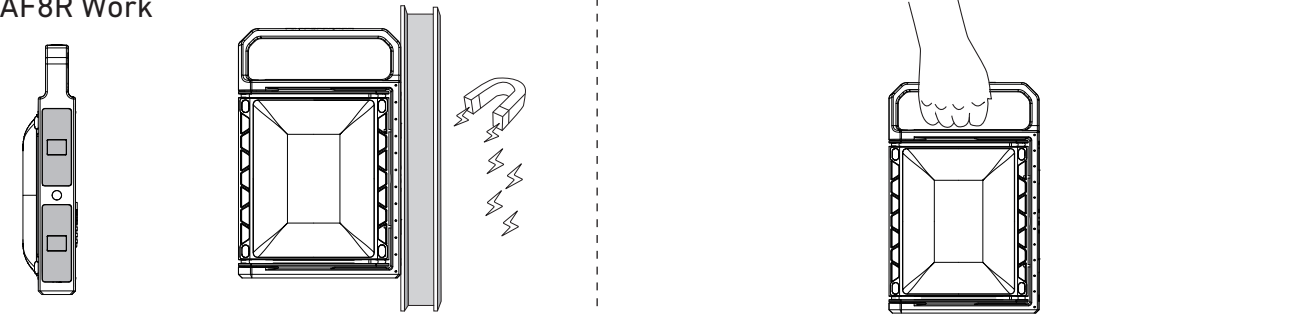
AF4R Work



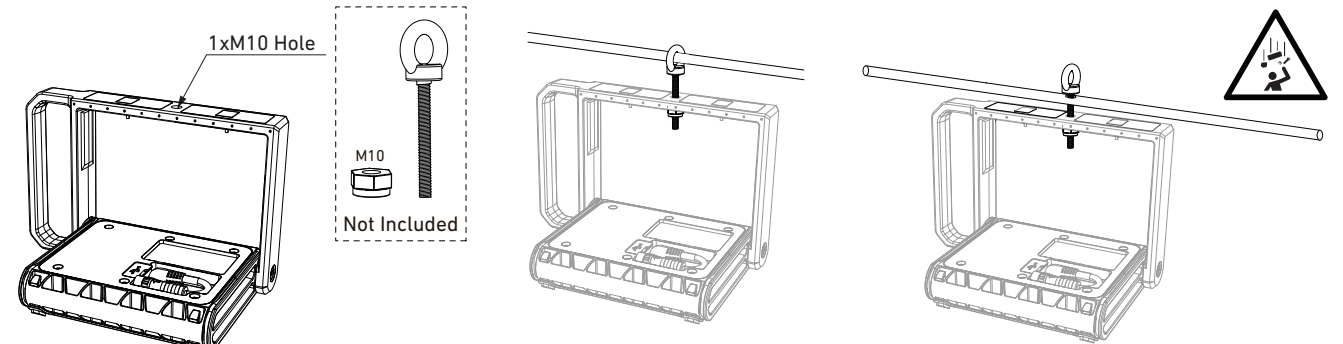
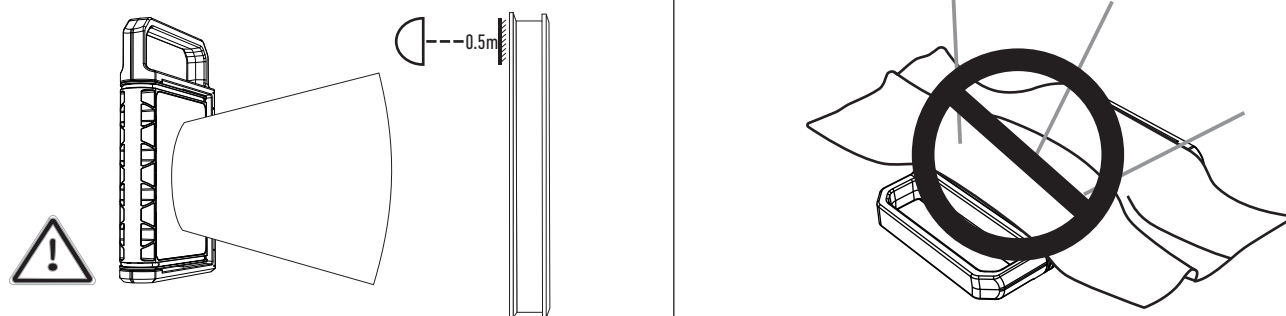
AF8R Work



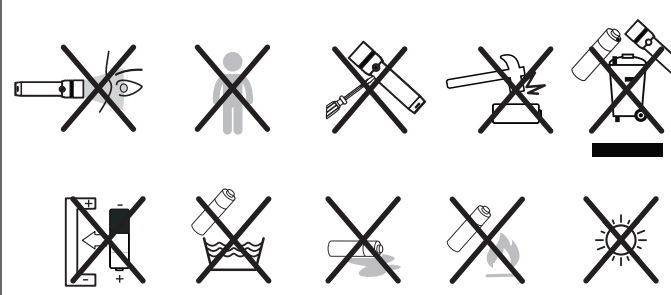
AF4R/AF8R Work



Minimum distance from lighted objects



Product			
IP Class	IP67	IP44	IP20



Ledlenser GmbH & Co. KG
 Kronenstrasse 5-7 • 42699 Solingen • Germany
 Phone +49 212/5948-0 Fax +49 212/5948-200
 info@ledlenser.com



Operation (AF4R Work/AF8R Work)

1xClick (Top): Beam angle adjustment. ϕV (Wide beam), ϕV (Narrow beam).

1xClick (Middle): On/Off toggle. On (Wide beam), Off (Narrow beam).

+1xClick (Bottom): Off state.

1xClick (Right): Color temperature and battery indicator control.

Color temperature: 3000K \rightleftharpoons 6500K

Battery indicator: $\geq 80\%$ (5 dots), 60-80% (4 dots), 40-60% (3 dots), 20-40% (2 dots), 10-20% (1 dot), <10% (0 dots)

Runtime: 8h, 4h, 2h, 1h, 0.5h

Hold $\geq 5s$: Luminous flux (10% \rightarrow 100%), Luminous flux (100% \rightarrow 10%), Color temperature (3000K \rightleftharpoons 6500K)

Low Battery Warning (AF4R Work/AF8R Work)

Blink \Rightarrow **Low Battery**

Battery Indicator (AF4R Work/AF8R Work)

Off (0 dots), **1xClick** (1-5 dots)

Green dot grid: <10%, 10-20%, 20-40%, 40-60%, 60-80%, $\geq 80\%$

Charging System (AF4R/AF8R Work)

Keep dry

Green dot grid: <10%, 20-40%, 40-60%, 60-80%, $\geq 80\%$, 100%

Transportation Lock (AF4R Work/AF8R Work)

Off (Unlocked), **Hold $\geq 5s$** (2xBlink) \Rightarrow **Locked**

Locked, **Hold $\geq 5s$** (2xBlink) \Rightarrow **Off** (Unlocked)

USB-C

Not Included (Phone, Laptop)

Connection

Connection: 1. Plug into light fixture, 2. Plug into power source.

Disconnection: 3. Turn light fixture off, 4. Pull out cable.