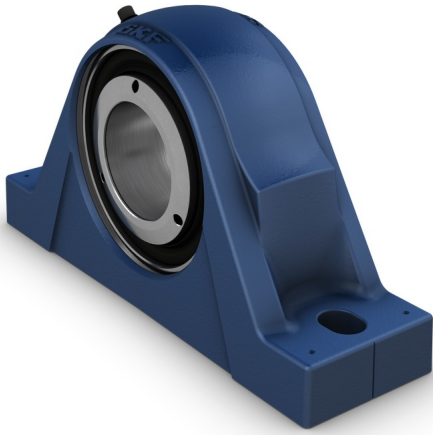


# SYNT 40 FPillow block roller bearing unit, two-bolt, SKF ConCentra locking



## Pillow block roller bearing unit, two-bolt, SKF ConCentra locking

Pillow (plummer) block roller bearing units and take-up roller bearing units consist of a spherical or tapered roller bearing mounted in a non-split housing that can be bolted to a support surface. This variant has a spherical roller bearing, a two-bolt base and SKF ConCentra locking, creating a true concentric tight fit, and setting the correct internal clearance within the bearing. The units are sealed and lubricated and ready to use. This bearing unit covers a wide range of requirements, in metric dimensions.

- Ready to mount
- Robust
- Factory lubricated and sealed
- Quick mounting
- Long service life

## Overview

### Dimensions

Shaft diameter	40 mm
Centre height (pillow block)	60 mm
Housing overall width	60 mm
Centre distance between bolt holes	170 mm
Attachment bolt diameter	12 mm
Bearing width, total	65 mm

### Performance

Basic dynamic load rating	96.5 kN
Basic static load rating	90 kN
Limiting speed	3 800 r/min

### Properties

Housing type	Pillow block
Number of bolt holes for fasteners	2
Bearing insert	Spherical roller bearing
Retaining feature, inner ring	SKF ConCentra
Bearing position	Locating

Bore type	Cylindrical
Material, housing	Cast iron
Material, bearing	Bearing steel
Coating	Without
Bearing housing seal type	Radial lip seal
Sealing, unit	Optional end cover
Lubricant	Grease
Relubrication hole	With
Grease fitting	With

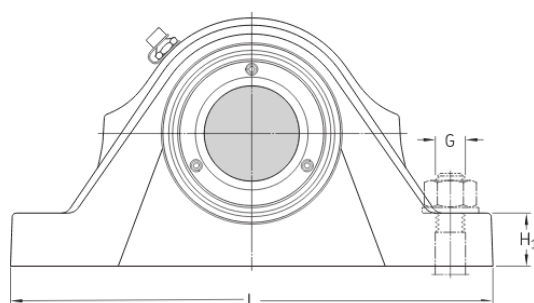
# Technical Specification

Metric/inch series	Metric
Bearing insert	Spherical roller bearing
Bearing position	Locating
Locking method	SKF ConCentra
Bearing housing seal type	Radial lip seal



## Dimensions

$d_a$	40 mm	Shaft diameter
$d_2$	66 mm	Collar outer diameter
A	60 mm	Housing foot width
B	65 mm	Inner ring width
H	60 mm	Height base to center
$H_1$	25 mm	Housing foot height
$H_2$	114 mm	Housing height
J	170 mm	Distance of attachment bolts
L	205 mm	Housing length
N	15 mm	Width foot slot width
$N_1$	20 mm	Length of attachment bolt hole



## Shaft end

$A_4$	51 mm	Distance bearing centre line to end cover
$b_a$	max. 43 mm	Distance bearing centre line to shaft end
$b_a$	min. 34 mm	Distance bearing centre line to shaft end

## Dowel pins



$J_6$	185 mm	Distance dowel pins
$J_7$	21 mm	Distance dowel pins
$N_4$	6 mm	Pin hole diameter

## Calculation data

Basic dynamic load rating	C	96.5 kN
Basic static load rating	$C_0$	90 kN
Fatigue load limit	$P_u$	9.8 kN
Limiting speed		3 800 r/min
Limiting value	e	0.28
Calculation factor	$Y_1$	2.4
Calculation factor	$Y_2$	3.6
Calculation factor	$Y_0$	2.5
Bearing mean diameter	$d_m$	60 mm
Axial holding force of the locking mechanism	$P_a$	15 kN

## Breaking loads



$P_{0^\circ}$	160 kN	Breaking load
$P_{55^\circ}$	265 kN	Breaking load
$P_{90^\circ}$	160 kN	Breaking load
$P_{120^\circ}$	100 kN	Breaking load
$P_{150^\circ}$	90 kN	Breaking load
$P_{180^\circ}$	110 kN	Breaking load

## Mass

Mass bearing unit	3.8 kg
-------------------	--------

## Mounting information

Attachment bolt diameter	G	12 mm
Tightening torque for attachment bolts		80 N·m
Set screws		M6
Number of set screws		3
Tightening torque for set screws		8 N·m
Grease quantity for relubrication		4 g

## Associated products

End cover	ECY 208
-----------	---------

# Terms and conditions

By accessing and using this website / app owned and published by AB SKF (publ.) (556007-3495 · Gothenburg) ("SKF"), you agree to the following terms and conditions:

## Warranty Disclaimer and Limitation of Liability

Although every care has been taken to assure the accuracy of the information on this website / app, SKF provides this information "AS IS" and DISCLAIMS ALL WARRANTIES, EXPRESS OR IMPLIED, INCLUDING, BUT NOT LIMITED TO, IMPLIED WARRANTIES OF MERCHANTABILITY AND FITNESS FOR A PARTICULAR PURPOSE. You acknowledge that your use of this website / app is at your sole risk, that you assume full responsibility for all costs associated with use of this website / app, and that SKF shall not be liable for any direct, incidental, consequential, or indirect damages of any kind arising out of your access to, or use of the information or software made available on this website / app. Any warranties and representations in this website / app for SKF products or services that you purchase or use will be subject to the agreed upon terms and conditions in the contract for such product or service. Further, for non-SKF websites / apps that are referenced in our website / app or where a hyperlink appears, SKF makes no warranties concerning the accuracy or reliability of the information in these websites / apps and assumes no responsibility for material created or published by third parties contained therein. In addition, SKF does not warrant that this website / app or these other linked websites / apps are free from viruses or other harmful elements.

## Third Party Services

When viewing YouTube content via the SKF website(s) (i.e. using YouTube API Services), you agree to be bound by the YouTube Terms of Service.

## Copyright

Copyright in this website / app copyright of the information and software made available on this website / app rest with SKF or its licensors. All rights are reserved. All licensed material will reference the licensor that has granted SKF the right to use the material. The information and software made available on this website / app may not be reproduced, duplicated, copied, transferred, distributed, stored, modified, downloaded or otherwise exploited for any commercial use without the prior written approval of SKF. However, it may be reproduced, stored and downloaded for use by individuals without prior written approval of SKF. Under no circumstances may this information or software be supplied to third parties.

This website /app includes certain images used under license from Shutterstock, Inc.

## Trademarks and Patents

All trademarks, brand names, and corporate logos displayed on the website / app are the property of SKF or its licensors, and may not be used in any way without prior written approval by SKF. All licensed trademarks published on this website / app reference the licensor that has granted SKF the right to use the trademark. Access to this website / app does not grant to the user any license under any patents owned by or licensed to SKF.

## Changes

SKF reserves the right to make changes or additions to this website / app at any time.