

## SET OF 3 INSULATED PLIERS

VDE 1000V

Code: 69 147 151

Standard:  



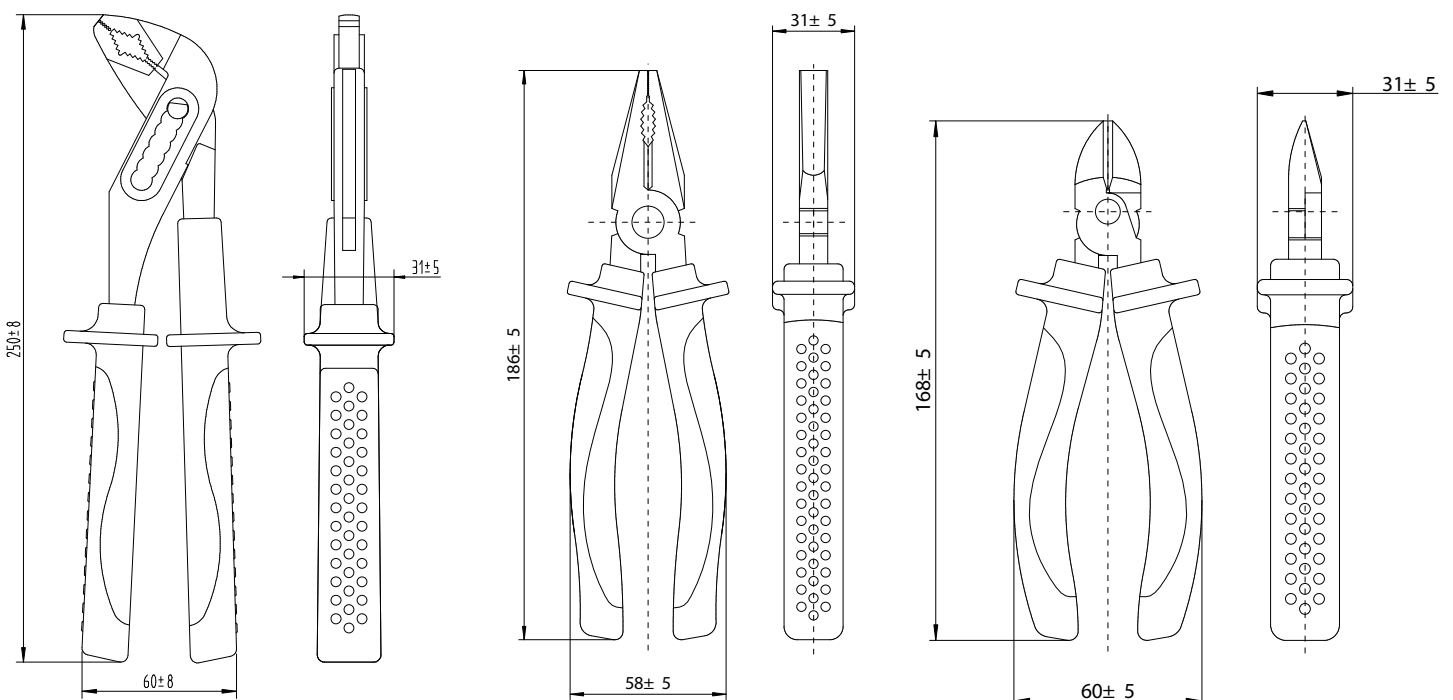
**LIFETIME  
WARRANTY**

### DESCRIPTION

- Contents:
  - 1 x 250 mm water pump pliers, opening 50 mm
  - 1 x 160 mm cutting pliers, opening 22 mm
  - 1 x 180 mm combination pliers, opening 28 mm
- Weight: 1,000 g

### SPECIFICATIONS

Number of pieces	3
Insulated 1000V	Yes
Type of packaging	Display stand



**YOUR PERFORMANCE PARTNER**