

P 80 Pillow block pressed steel housing



Pillow block pressed steel housing

Pillow (plummer) block pressed steel housings for insert bearings are lightweight and made from cold-rolled steel, and are zinc-coated for corrosion protection. The housings are cost-effective and designed for simple applications with light loads. The two-part housing, which has no provision for relubrication, can be ordered separately from the insert bearing, making a large number of combinations possible.

- Lightweight
- Cost-effective
- Flexible bearing and housing combinations
- Simple to mount
- Protection against corrosion

Overview

Dimensions

| | |
|------------------------------------|---------|
| Spherical seating diameter | 80 mm |
| Centre height (pillow block) | 43.6 mm |
| Housing overall width | 43 mm |
| Centre distance between bolt holes | 120 mm |

Properties

| | |
|------------------------------------|---------------|
| Housing type | Pillow block |
| Number of bolt holes for fasteners | 2 |
| Fastening bolt hole type | Plain |
| Material, housing | Pressed steel |
| Coating | Zinc-coated |
| Relubrication hole | Without |
| Grease fitting | Without |

Technical Specification

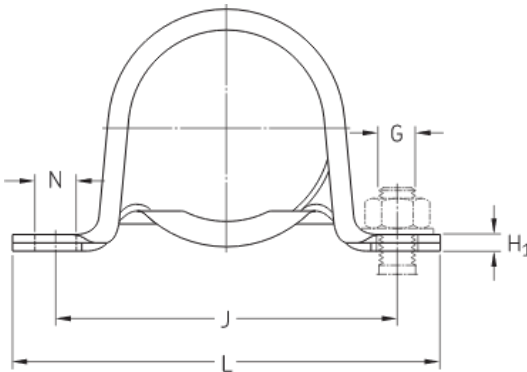
Material

Pressed steel



Dimensions

| | | |
|-------|---------|-----------------------------------|
| D_a | 80 mm | Diameter of spherical seat |
| A | 43 mm | Base width |
| A_1 | 29 mm | Top width |
| H | 43.6 mm | Height of spherical seat centre |
| H_1 | 5 mm | Foot height |
| H_2 | 86 mm | Overall height |
| J | 120 mm | Distance between attachment bolts |
| L | 148 mm | Overall length |
| N | 14 mm | Length of attachment bolt hole |



Calculation data

Permissible radial load

max. 3.8 kN

Mass

Mass housing

0.31 kg

Mounting information

| | | |
|---|---|--------|
| Recommended diameter for attachment bolts, mm | G | 12 mm |
| Recommended diameter for attachment bolts, inch | G | 0.5 in |

Terms and conditions

By accessing and using this website / app owned and published by AB SKF (publ.) (556007-3495 · Gothenburg) ("SKF"), you agree to the following terms and conditions:

Warranty Disclaimer and Limitation of Liability

Although every care has been taken to assure the accuracy of the information on this website / app, SKF provides this information "AS IS" and DISCLAIMS ALL WARRANTIES, EXPRESS OR IMPLIED, INCLUDING, BUT NOT LIMITED TO, IMPLIED WARRANTIES OF MERCHANTABILITY AND FITNESS FOR A PARTICULAR PURPOSE. You acknowledge that your use of this website / app is at your sole risk, that you assume full responsibility for all costs associated with use of this website / app, and that SKF shall not be liable for any direct, incidental, consequential, or indirect damages of any kind arising out of your access to, or use of the information or software made available on this website / app. Any warranties and representations in this website / app for SKF products or services that you purchase or use will be subject to the agreed upon terms and conditions in the contract for such product or service. Further, for non-SKF websites / apps that are referenced in our website / app or where a hyperlink appears, SKF makes no warranties concerning the accuracy or reliability of the information in these websites / apps and assumes no responsibility for material created or published by third parties contained therein. In addition, SKF does not warrant that this website / app or these other linked websites / apps are free from viruses or other harmful elements.

Third Party Services

When viewing YouTube content via the SKF website(s) (i.e. using YouTube API Services), you agree to be bound by the YouTube Terms of Service.

Copyright

Copyright in this website / app copyright of the information and software made available on this website / app rest with SKF or its licensors. All rights are reserved. All licensed material will reference the licensor that has granted SKF the right to use the material. The information and software made available on this website / app may not be reproduced, duplicated, copied, transferred, distributed, stored, modified, downloaded or otherwise exploited for any commercial use without the prior written approval of SKF. However, it may be reproduced, stored and downloaded for use by individuals without prior written approval of SKF. Under no circumstances may this information or software be supplied to third parties.

This website /app includes certain images used under license from Shutterstock, Inc.

Trademarks and Patents

All trademarks, brand names, and corporate logos displayed on the website / app are the property of SKF or its licensors, and may not be used in any way without prior written approval by SKF. All licensed trademarks published on this website / app reference the licensor that has granted SKF the right to use the trademark. Access to this website / app does not grant to the user any license under any patents owned by or licensed to SKF.

Changes

SKF reserves the right to make changes or additions to this website / app at any time.