

## ELECTRICIAN'S WIRE STRIPPERS

### BI-MATERIAL HANDLES

Code: 69 147 097



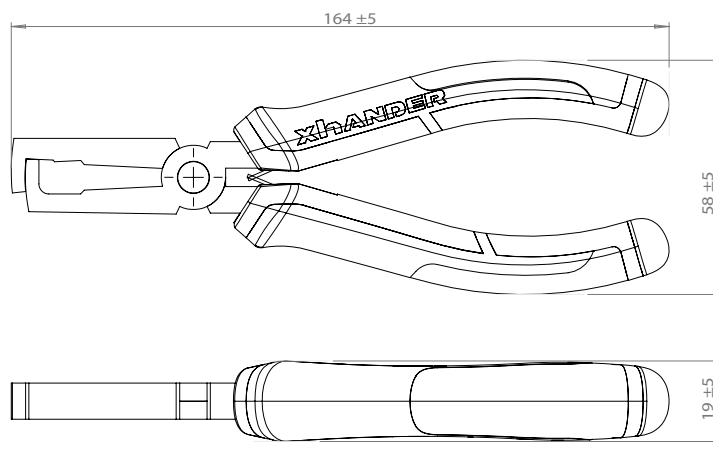
**LIFETIME  
WARRANTY**

### DESCRIPTION

- For stripping single-strand and multi-strand wires
- Ergonomic handles for more comfortable use

### SPECIFICATIONS

Tool type	Pliers
Function	Wire stripping
Stripping capacity	1 to 10 mm <sup>2</sup>
Insulated 1000V	No



**YOUR PERFORMANCE PARTNER**