

Product information

73 71 180

KNIPEX TwinForce®

High Performance Diagonal Cutters

DIN ISO 5749

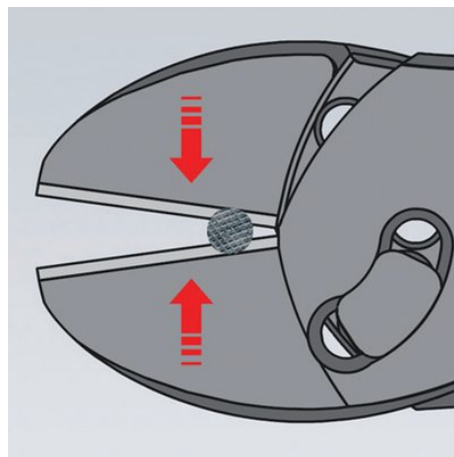
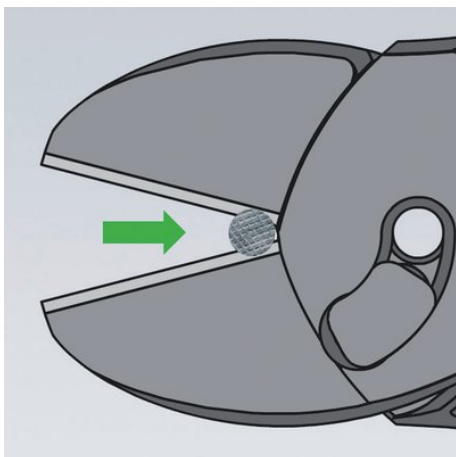


- The superior High-Leverage Diagonal Cutter with patented double joint
- Ideal transmission of force due to double-hinged design
- Reliably cuts all types of wire, including steel tape
- For rough or very fine cutting
- Low cutting impact: gentle on hands. The tension on muscles and tendons is relieved
- For comfortable cutting, repetitive cutting or extremely hard cutting jobs
- High degree of stability and zero-backlash due to precisely milled forged-in axles
- Chrome vanadium heavy-duty steel, forged, oil-hardened

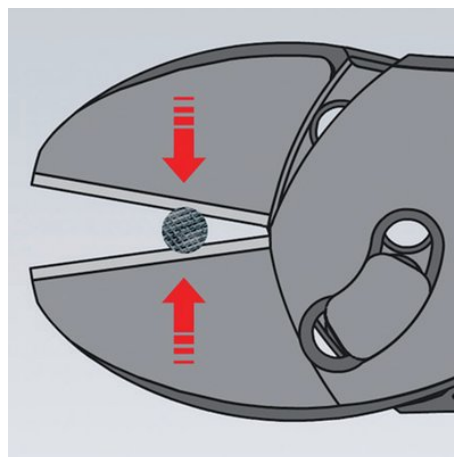
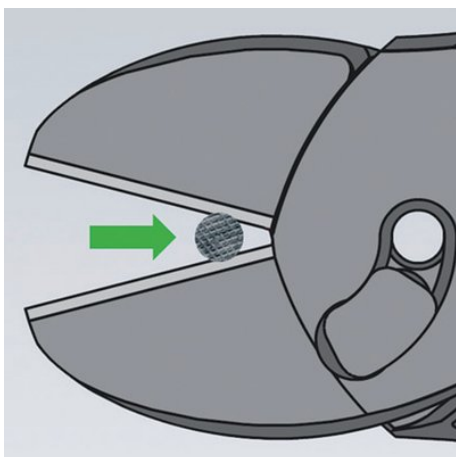


General	
Article No.	73 71 180
EAN	4003773074762
Pliers	black atramentized
Head	polished
Handles	plastic coated
weight	270 g
Dimensions	180 x 49 x 20 mm
Standard	DIN ISO 5749
Technische Attribute	
Cutting capacities medium hard wire (diameter)	Ø 4.6 mm
Cutting capacities hard wire (diameter)	Ø 3.2 mm
Cutting capacities piano wire (diameter)	Ø 3.0 mm
Cutting capacities soft wire (diameter)	Ø 5.5 mm
Classification	
eCl@ss 5.1.4	21040302
ETIM 5.0	EC000165
ETIM 6.0	EC000165
proficl@ss 6.0	AAA949c004
UNSPSC 13.1	27112114

technical change and errors excepted



You can repeat this process if necessary.



First make a notch in the wire using the KNIPEX TwinForce® until the required hand force increases considerably. Now open the pliers and slide the wire backwards towards the joint. Hold the cutting edge in the notches you have made in step 1.